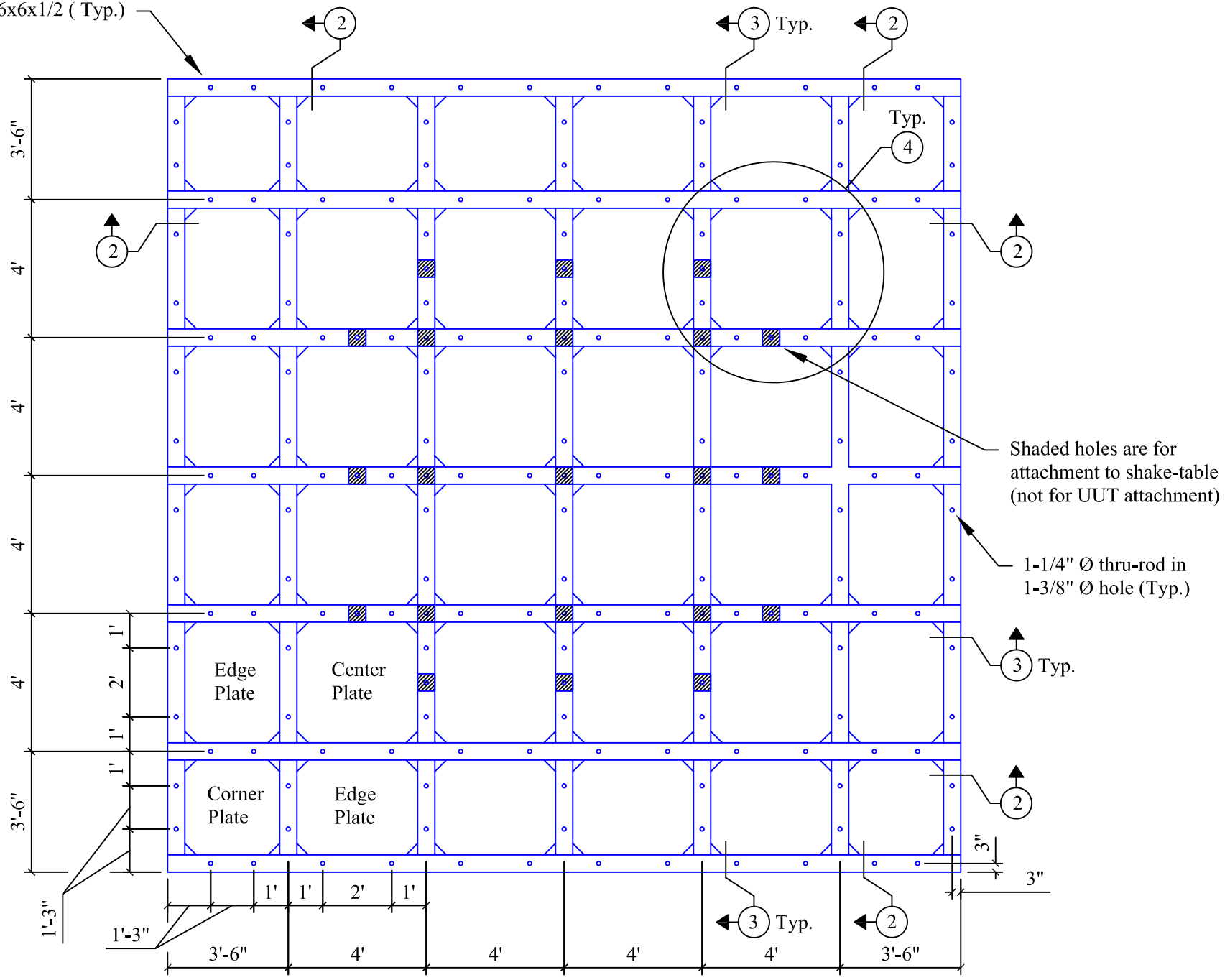
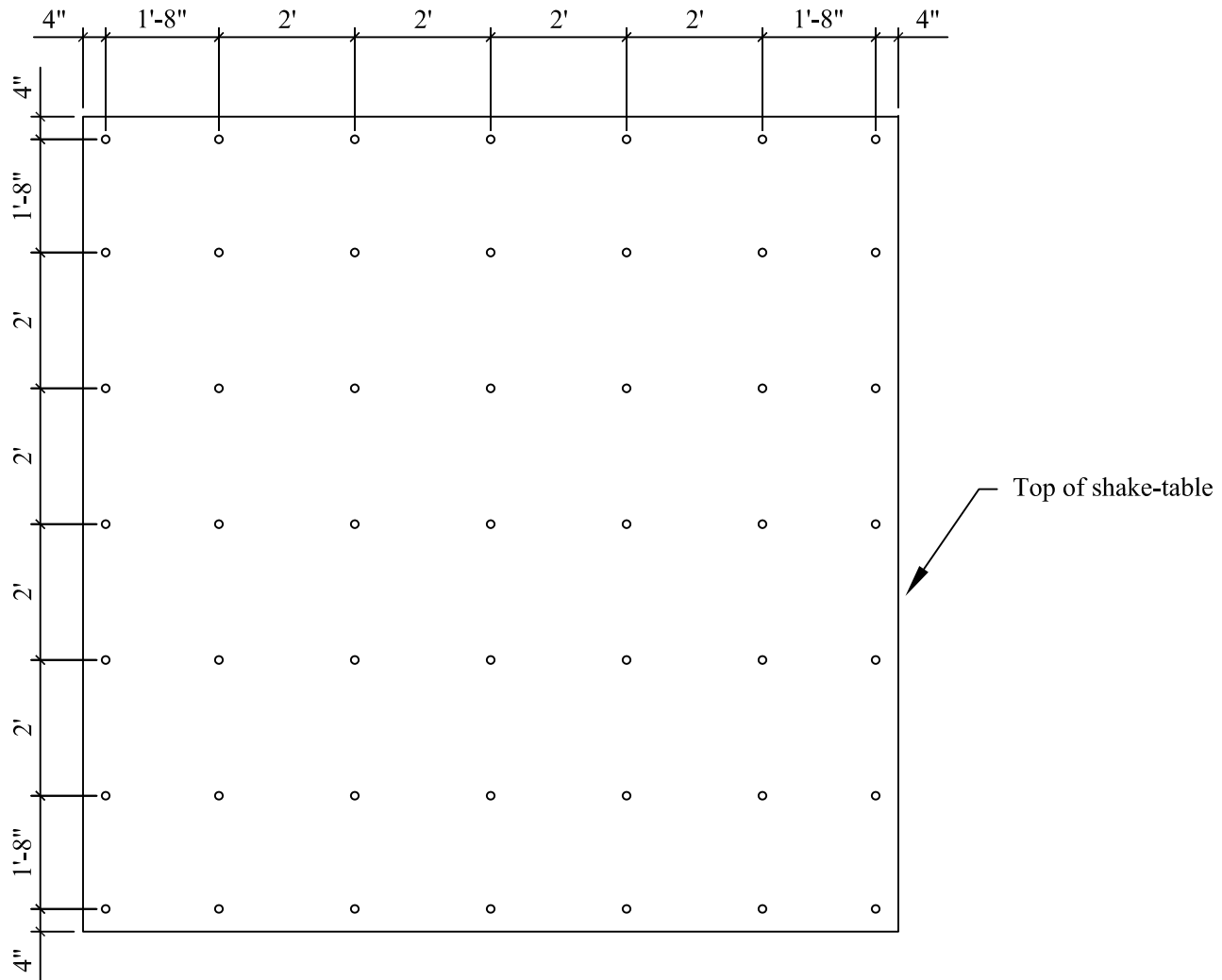


HSS 6x6x1/2 (Typ.)

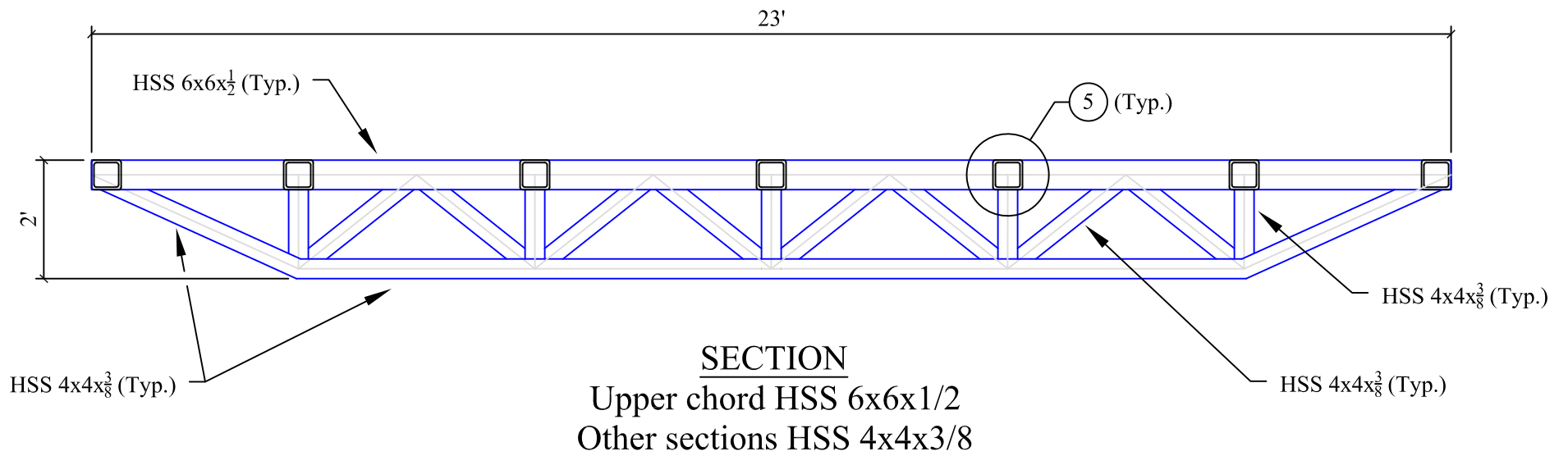


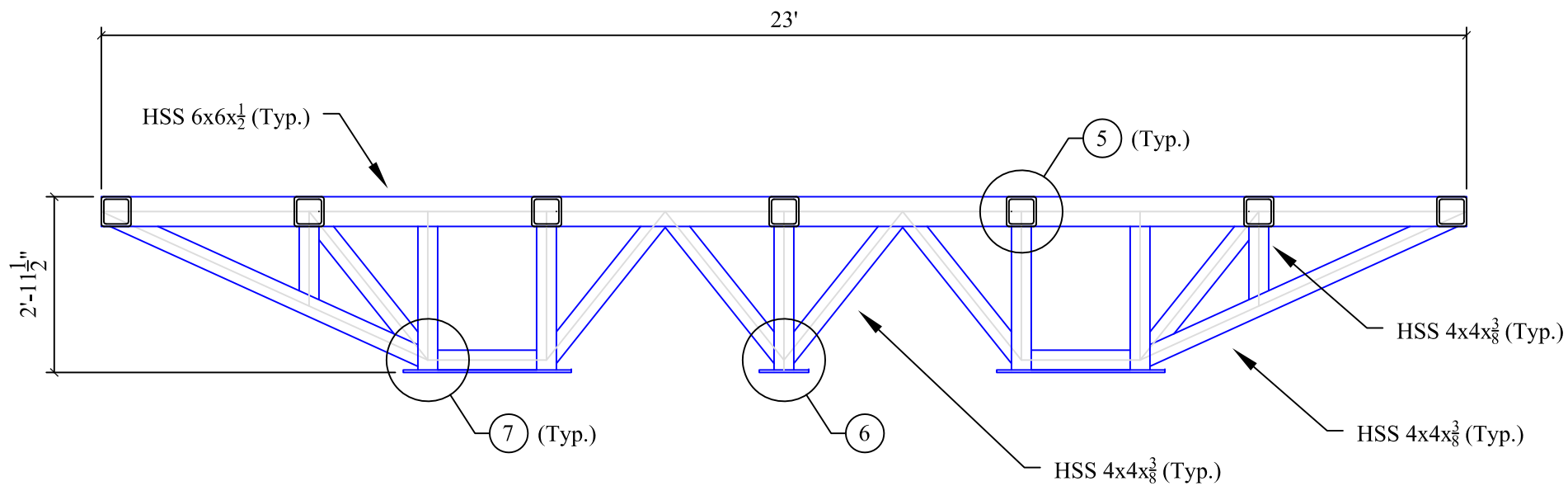
PLAN

University at Buffalo	Dept. of Civil, Structural & Environmental Engineering Structural Engineering & Earthquake Simulation Laboratory	CONTENT: Shake-Table Extension Frame Plan	SCALE: 1/4" = 1'-0"	DRWG: 1a
-----------------------	---	--	------------------------	-------------

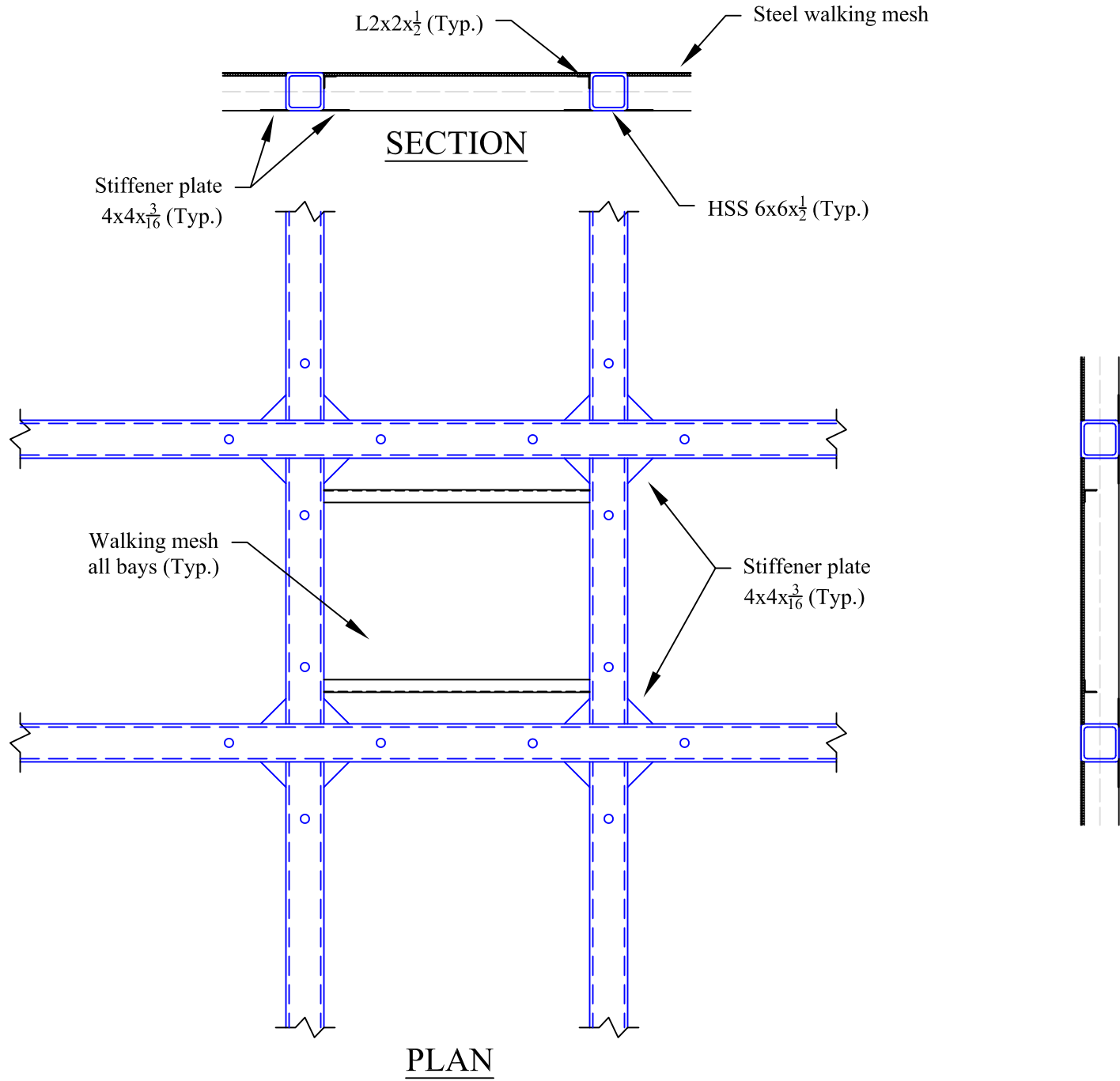


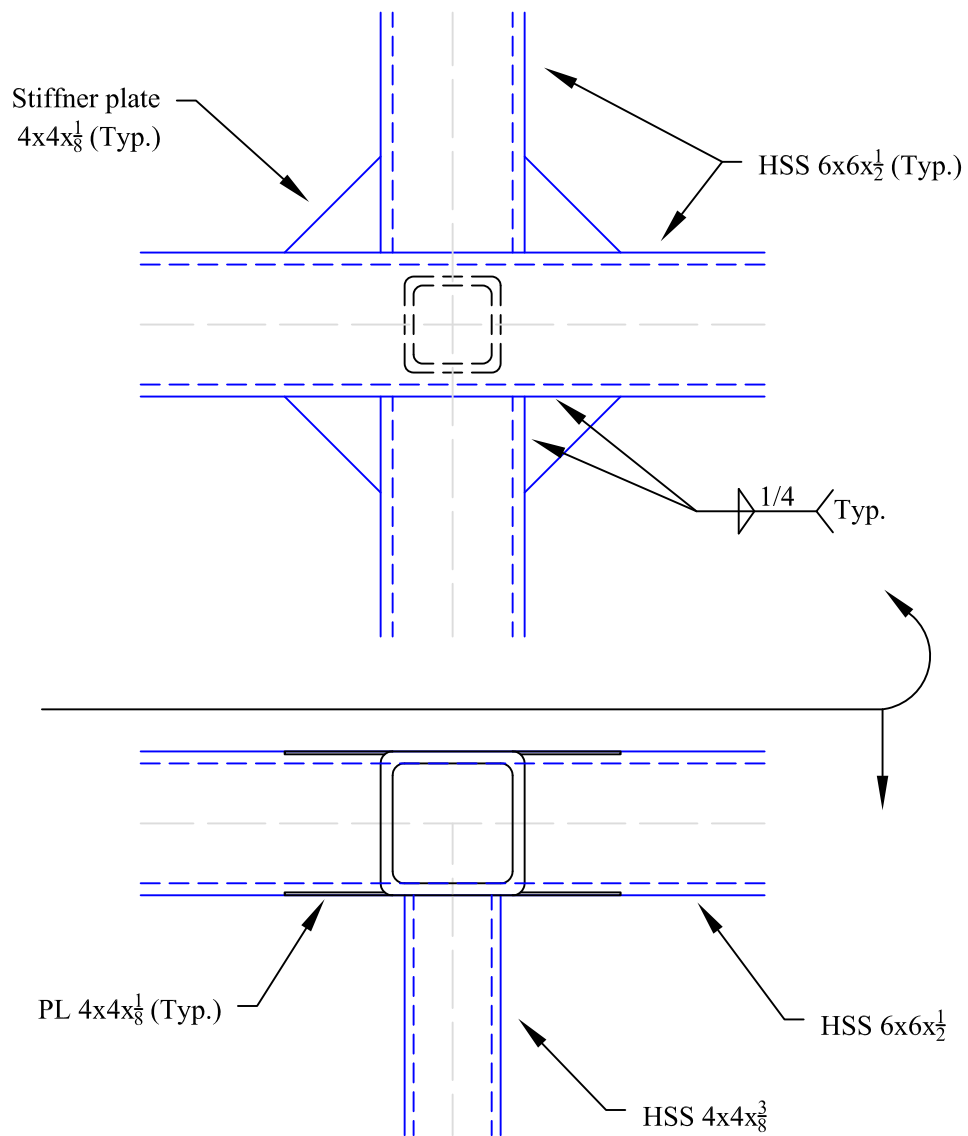
PLAN



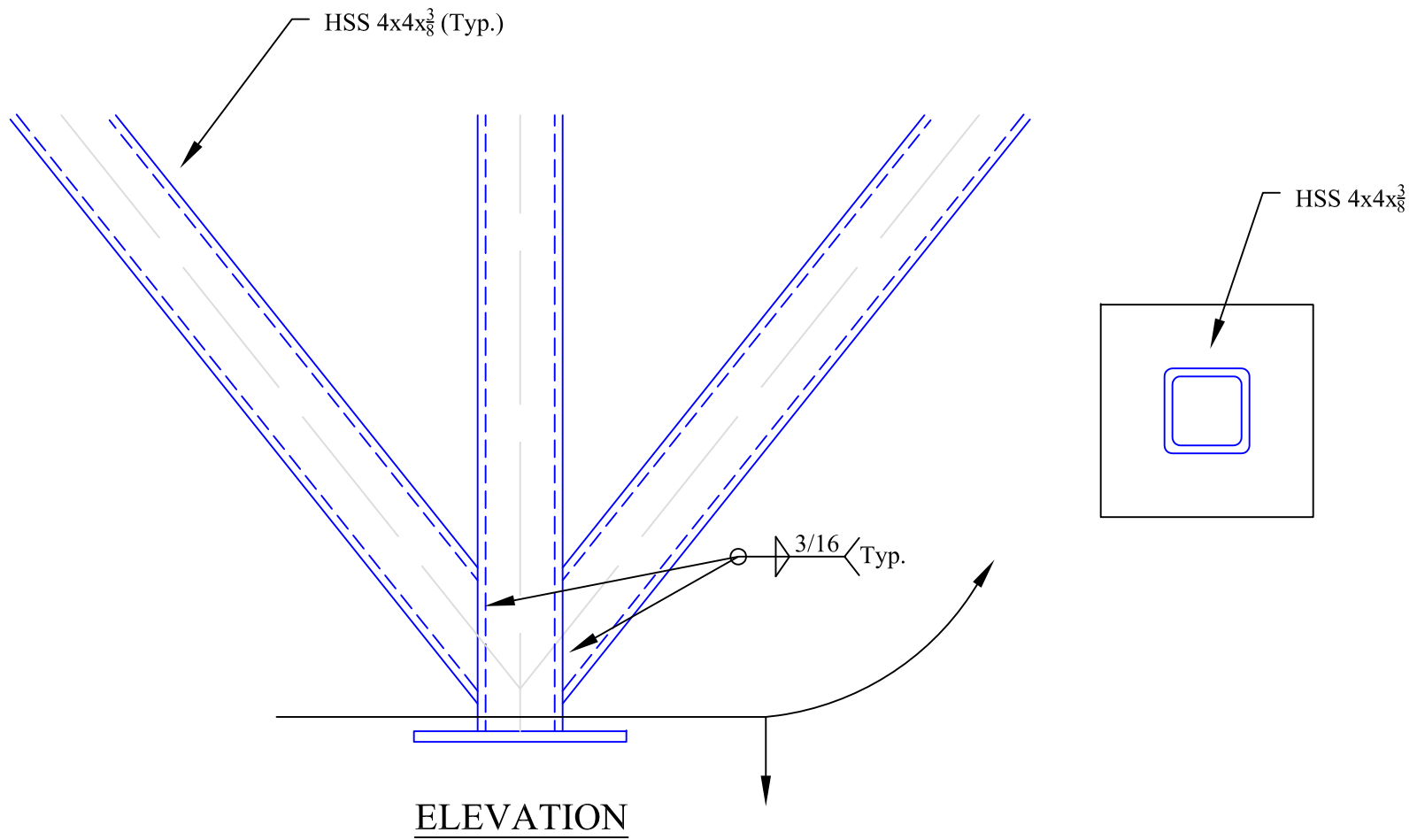


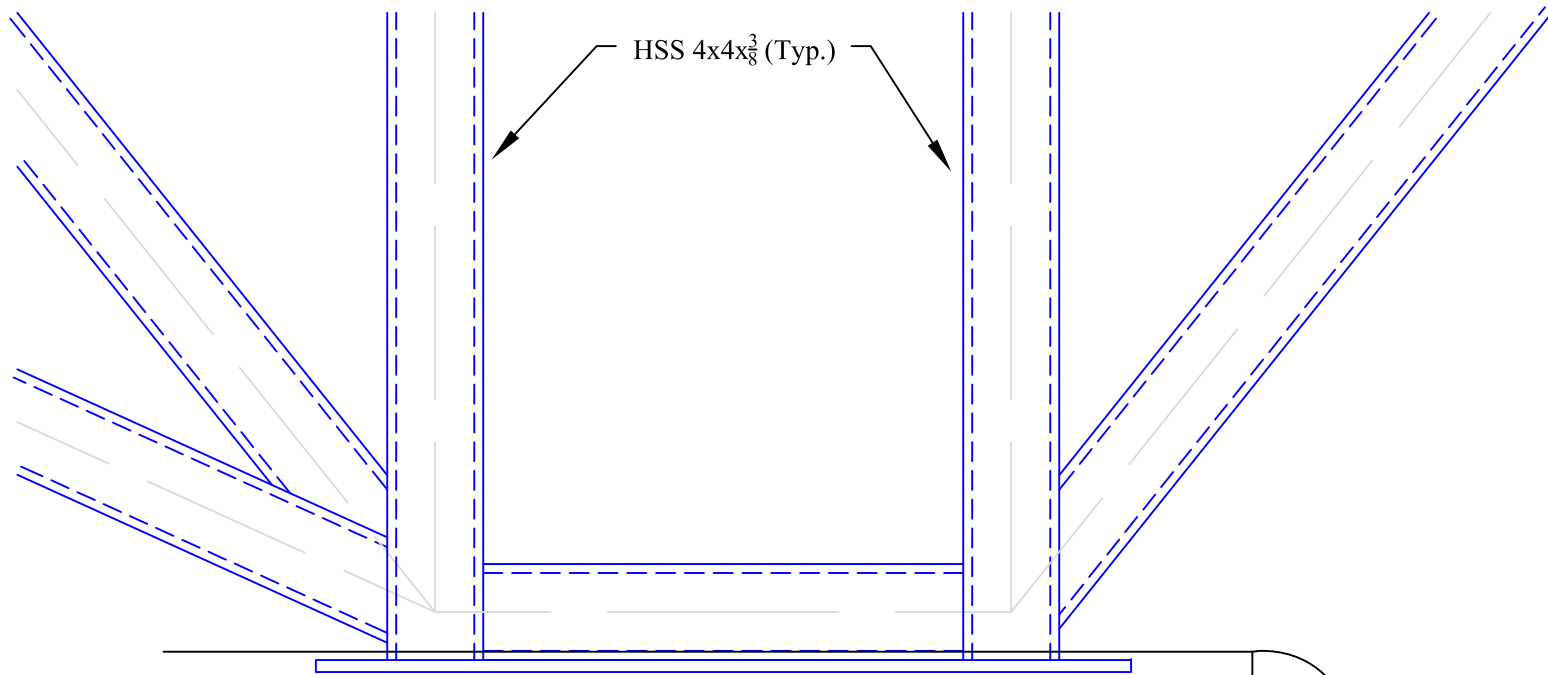
**SECTION**  
 Upper chord HSS 6x6x1/2  
 Other sections HSS 4x4x3/8



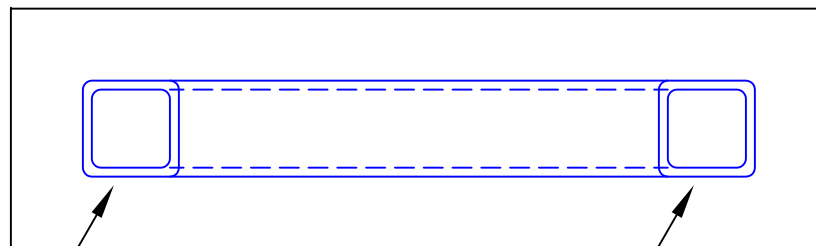


SECTION





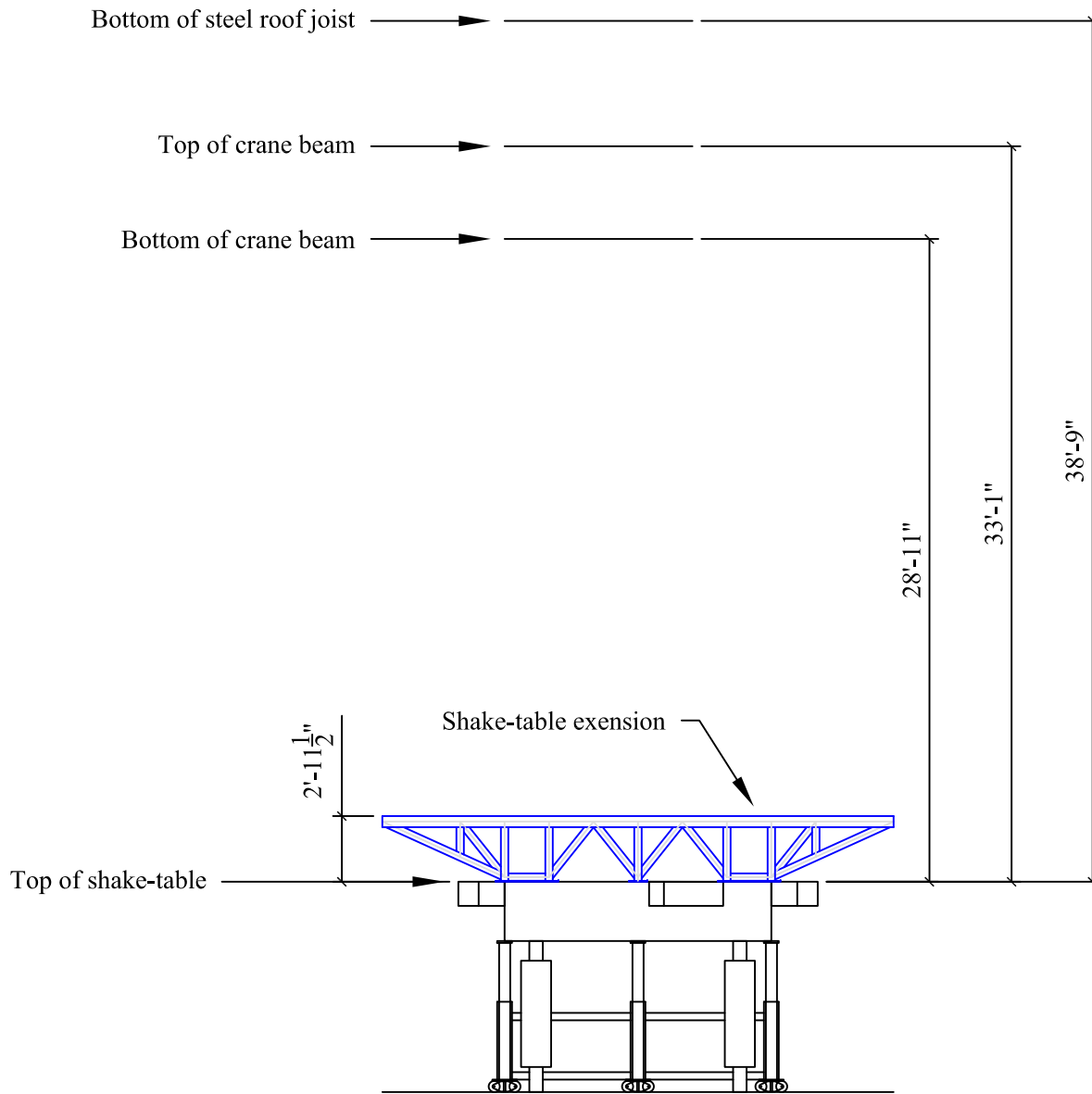
ELEVATION



HSS 4x4x $\frac{3}{8}$

HSS 4x4x $\frac{3}{8}$





SOUTH ELEVATION

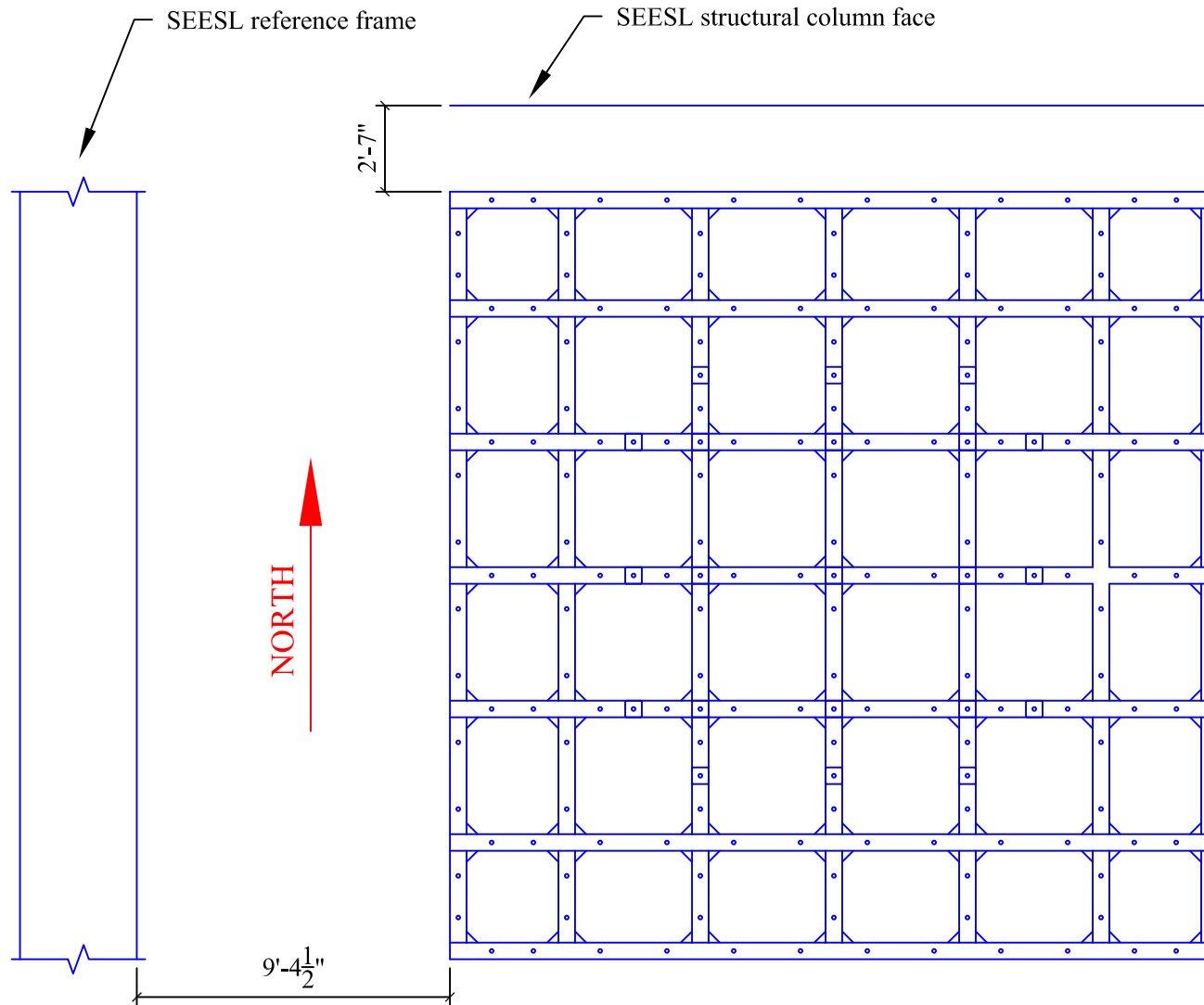


TABLE 1

